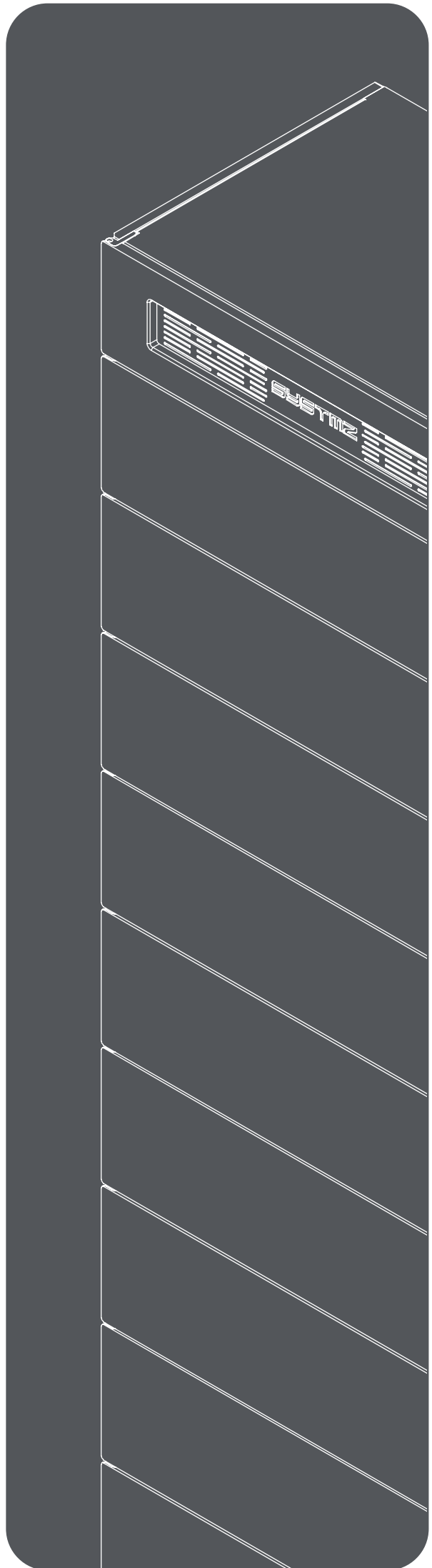


SYSTEMZ

# IL-11

---

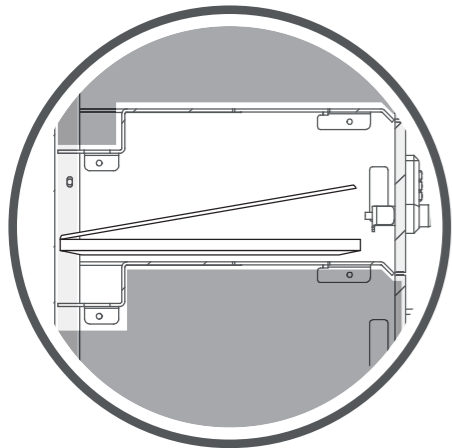
User Manual



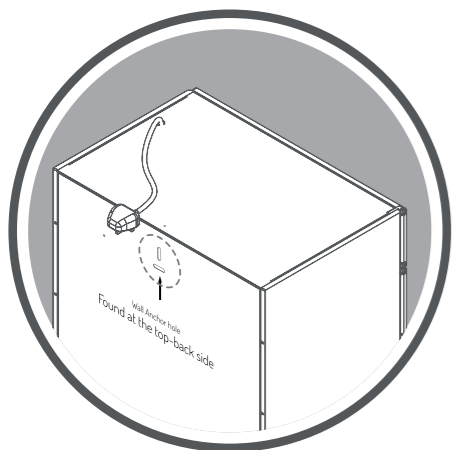
## Table of Contents

Features .....	3
Installation .....	4
Digital Lock .....	6
Power Track .....	7

## Product Disclaimers



This locker is designed for the purposes of storage and charging of laptops only. Charging of any device/s other than laptop is not recommended and maybe deemed misuse.

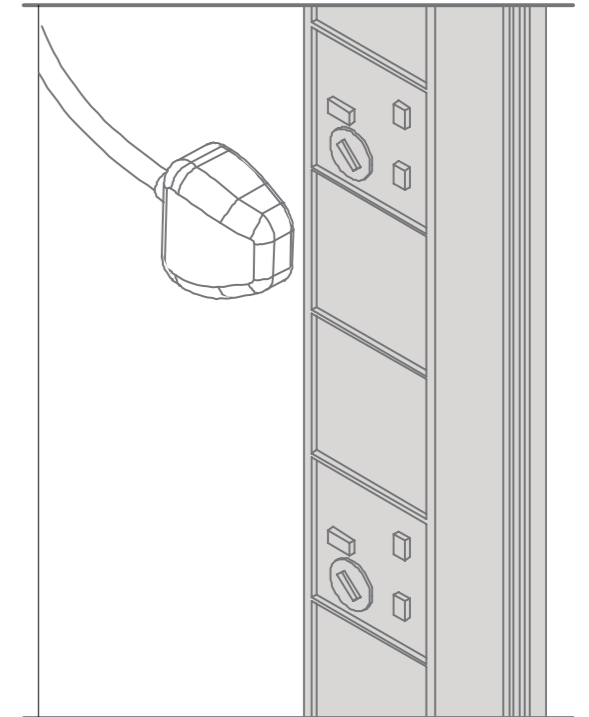


Before using the IT Locker, ensure that it is **secured to the wall** by using wall anchors to ensure maximum stability. Kindly refer to page 4 for details on the securing the unit to the wall.

## Features

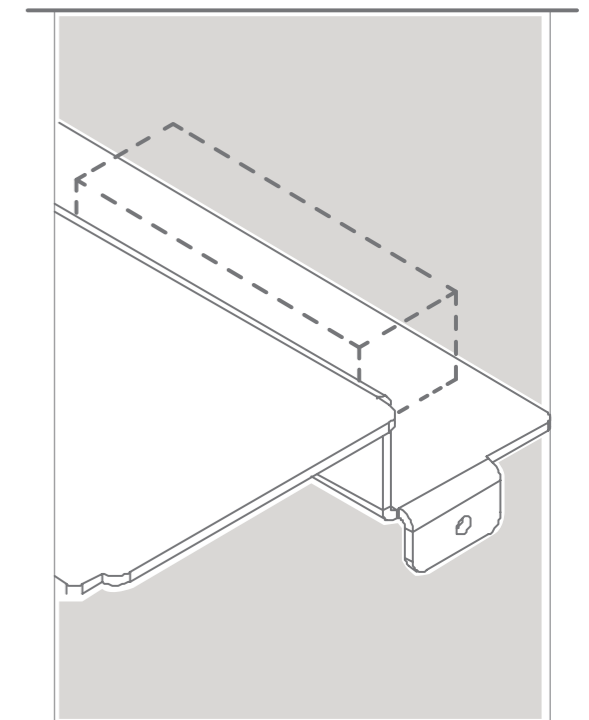
### Power Track

A key feature of the IL-11 is the Power Track, a distinct socket system which can be used to charge devices placed within each storage compartment.

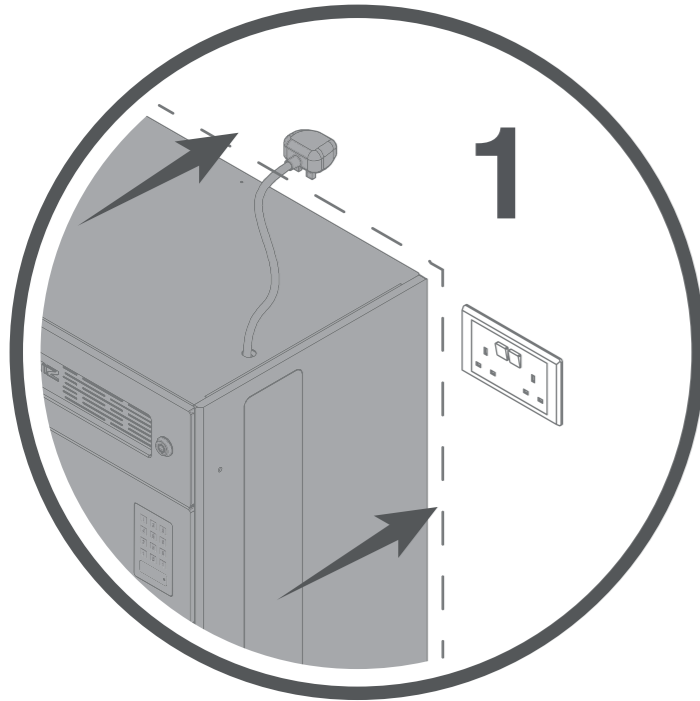


### Terraced Storage Compartment

To maximise space within each locker, a lower cavity has been created within every storage partition to address the need for space. Adapters and wires can be housed within the cavity so that the laptop can have maximum space.

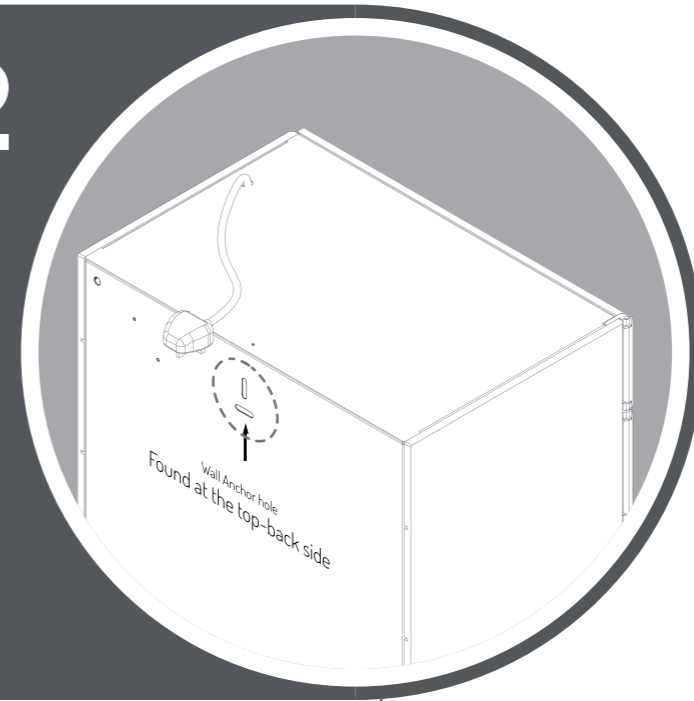
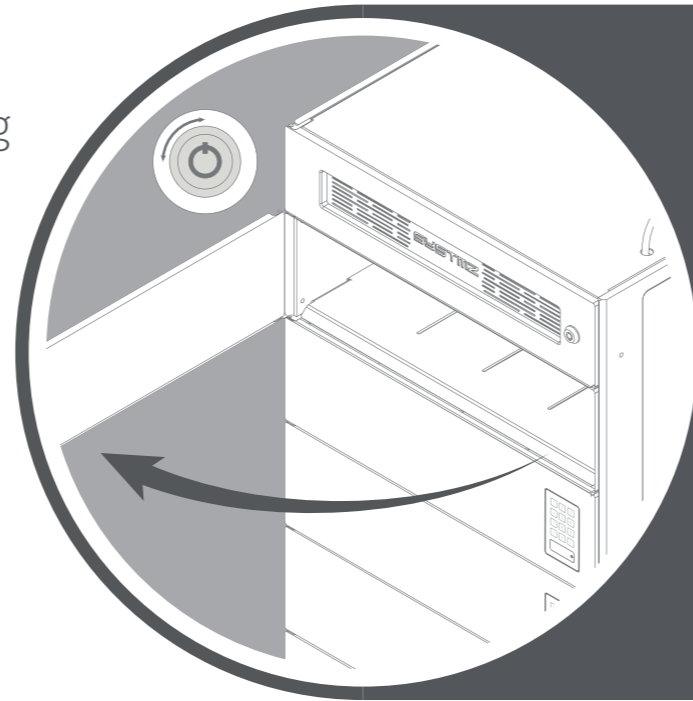


# Installation

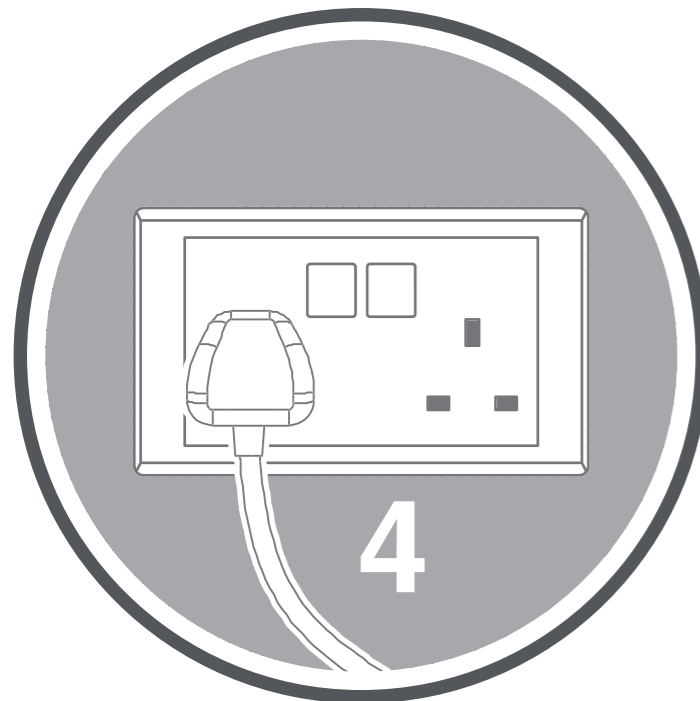


Pick a location to install the IL-11. Consider placing it within 1.5m to a wall outlet.

Unlock the 2nd highest cabinet door with the service key to access the mounting inside the rear of the compartment.



Consult with qualified maintenance personnel on installing the appropriate wall anchors.

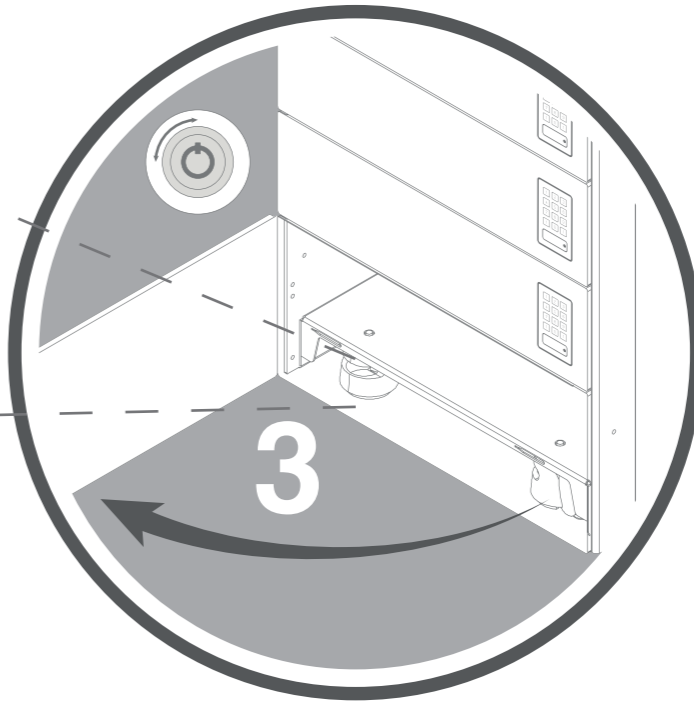


Insert the unit plug to the wall's power socket.

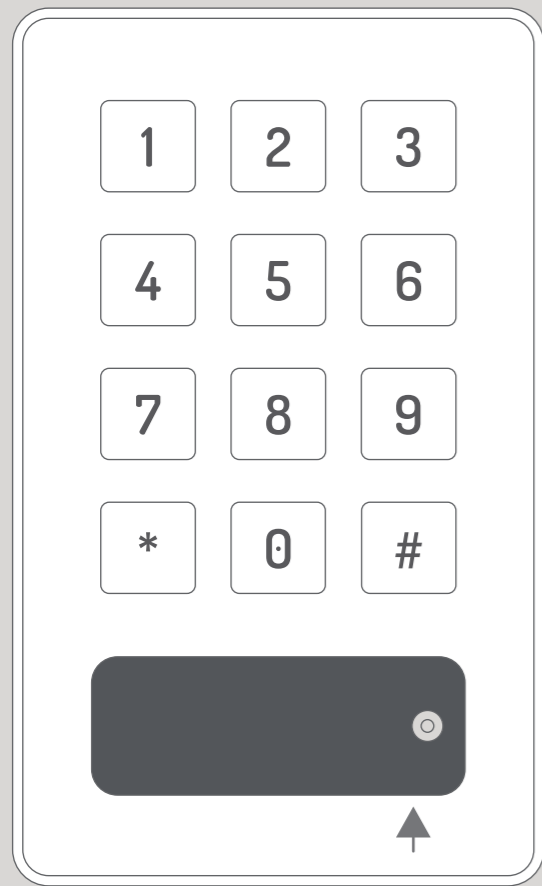
The IL11 should be powered and ready for use.



Turn the knob to adjust the footing level until the locker is stationary and stable.



Unlock/Open the lowest cabinet door using the Service Key to access the footmaster wheel set.



Master Key Scanning Area

## Digital Lock

### To Set Lock Code

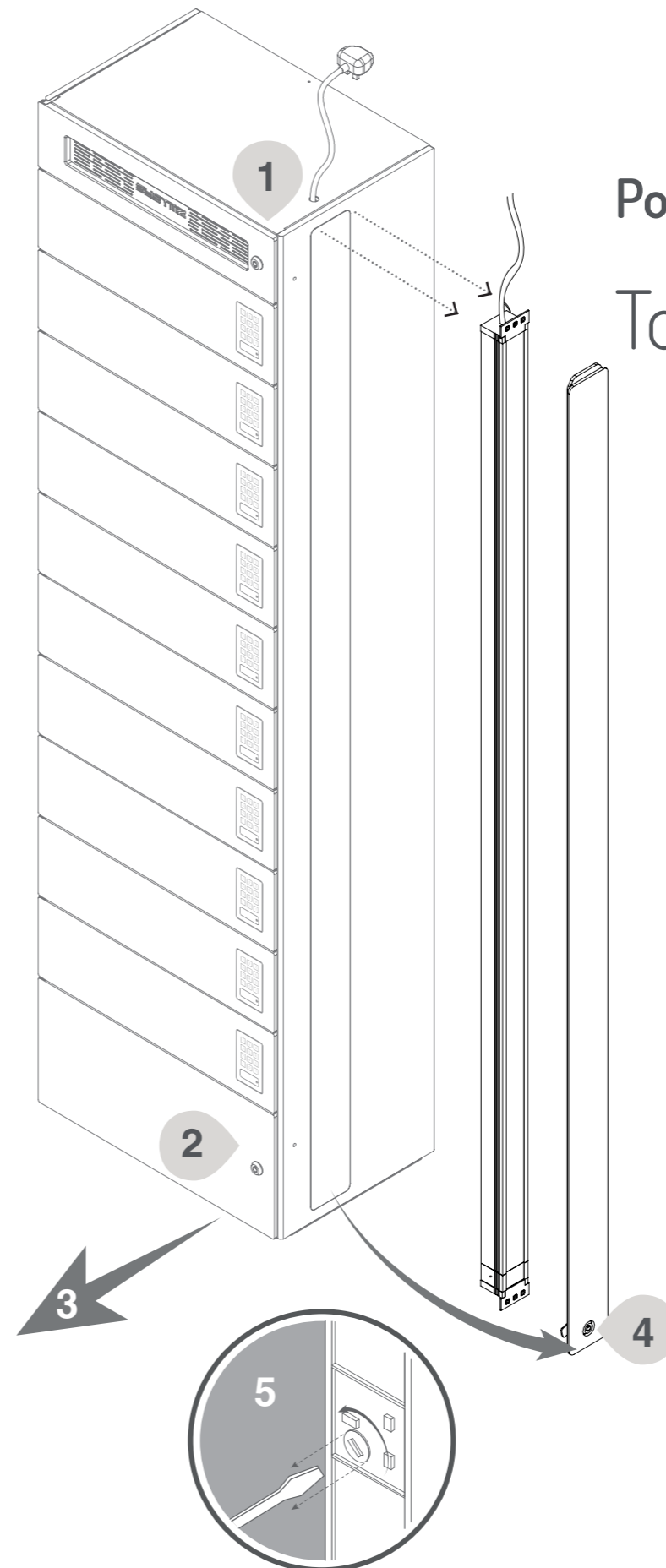
- Touch keypad to activate, keypad will light up.
- Press “\*” button (beep sound).
- Set your 4 digit code (eg. 0000) (beep sound).
- Press “#” button to lock (beep sound).

### To Unlock/Lock

- Touch keypad to activate, keypad will light up.
- Press “\*” button (beep sound).
- Enter your pre-set 4 digit code (beep sound).
- Press “#” button to lock (beep sound).

### To Override Lock

- Tap the master key against the black panel to reset lock.



## Power Track

### To Service

1. Unlock the top service door and switch-off the power supply for the Power Track.
2. Unlock the bottom service door and twist the footmaster to enable it to move.
3. Pull out the IL-11 to gain access to the service panel on the side of the IT Locker.
4. Unlock the side service panel and pull. The service door will pivot outwards. Lower the track once accessible.
5. To replace a blown fuse, use a flat-head screwdriver to twist and pull-off the socket's fuse

**Singapore (HQ)**

Systemz Pte Ltd  
16 Sungei Kadut Way  
Singapore 728793  
Tel: +65 6465 0387 Fax: +65 6465 0656  
Email: info@systemz.sg Website: www.systemz.sg

**Malaysia (Office)**

Systemz Sdn Bhd  
No.11, Jalan PJU 3/46,  
Sunway Damansara Technology Park,  
47810 Petaling Jaya,  
Selangor Darul Ehsan, Malaysia.  
Tel: +603 7803 8088 Fax: +603 7803 8211  
Email: info@systemz.com.my Website: www.systemz.com.my

